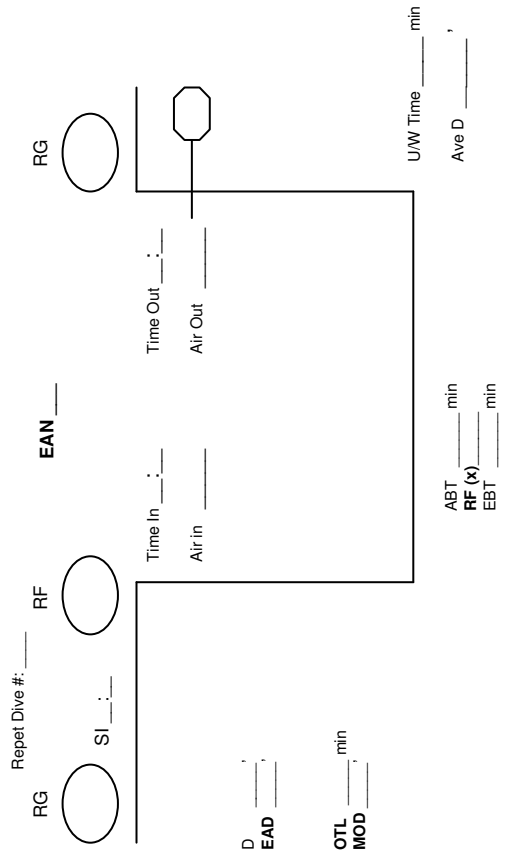


Dive Log

No. _____ Date: _____ Location: _____
 Type of Dive: _____
 Weather Conditions: _____ Temp: _____

Profile



Site Info

Current: _____ Surge: _____
 H₂O Temp: _____ Visibility: _____

Directions / Other:

Wts: _____ Tanks: _____

$$\left(\frac{\text{air}}{\text{time}} \times 33 \div \left(\frac{\text{depth}}{\text{depth}} + 33 \right) \right) \div \frac{\text{scfm}}{\text{tcf}} = \text{SCFM}$$

Accum Bottom Time: _____ h _____ min

Stats / Eqpt

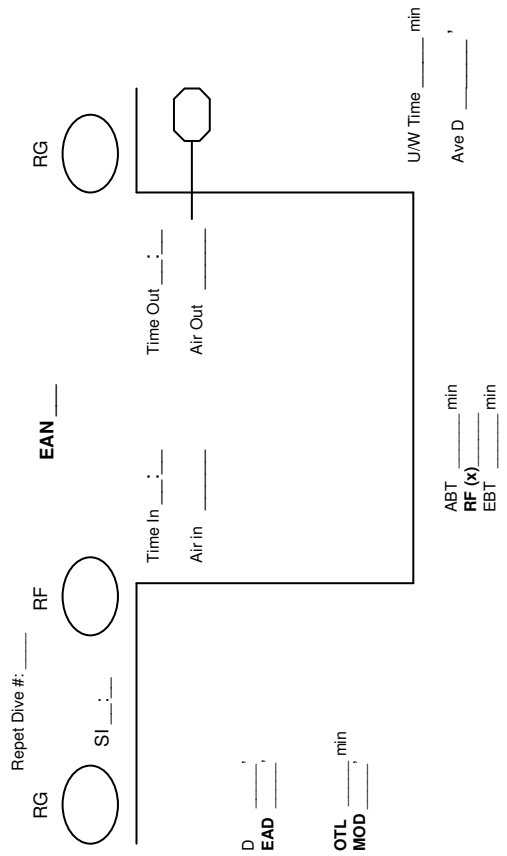
Tank Conversion Factors (tcf):
 S72: 33.3
 A180: 37.5
 S112: 23.6
 2xS104: 12.7

Dive Buddy: _____ Phone #: _____

Dive Log

No. _____ Date: _____ Location: _____
 Type of Dive: _____
 Weather Conditions: _____ Temp: _____

Profile



Site Info

Current: _____ Surge: _____
 H₂O Temp: _____ Visibility: _____

Directions / Other:

Wts: _____ Tanks: _____

$$\left(\frac{\text{air}}{\text{time}} \times 33 \div \left(\frac{\text{depth}}{\text{depth}} + 33 \right) \right) \div \frac{\text{scfm}}{\text{tcf}} = \text{SCFM}$$

Accum Bottom Time: _____ h _____ min

Stats / Eqpt

Tank Conversion Factors (tcf):
 S72: 33.3
 A180: 37.5
 S112: 23.6
 2xS104: 12.7

Dive Buddy: _____ Phone #: _____

